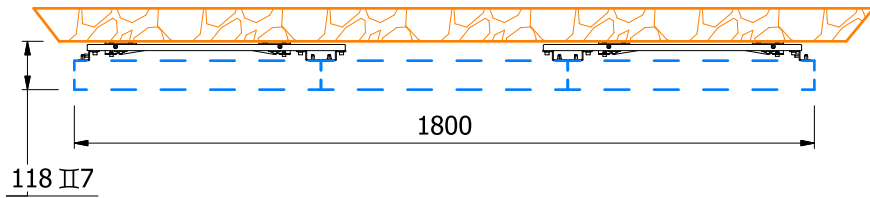
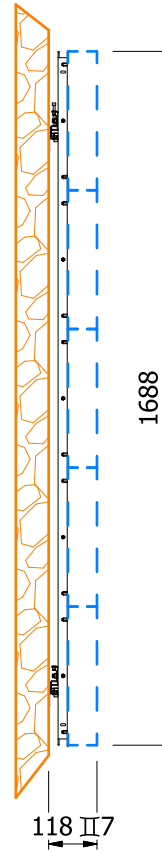
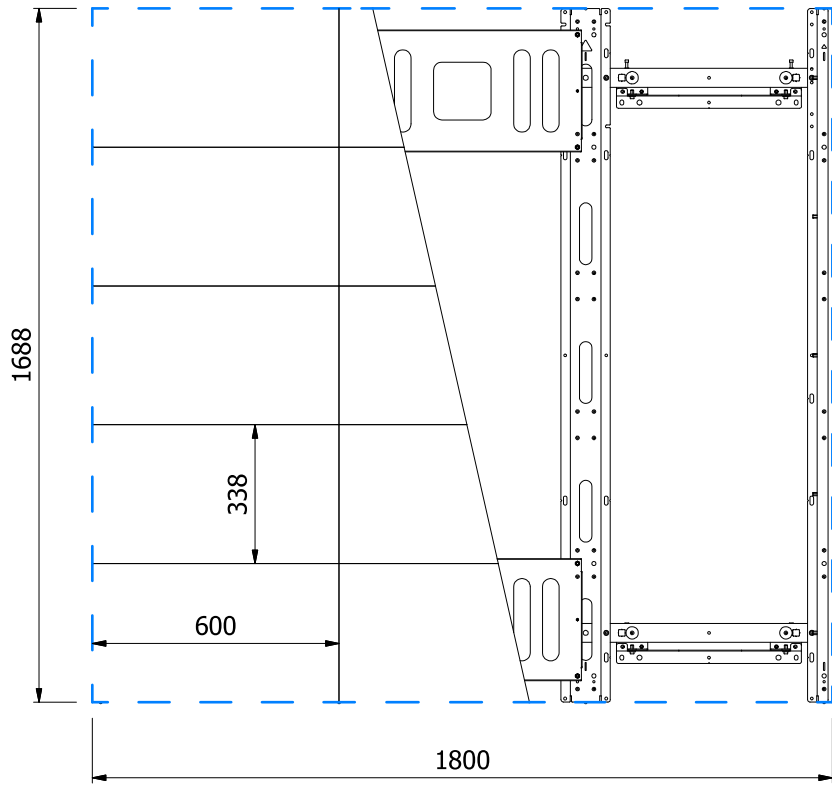
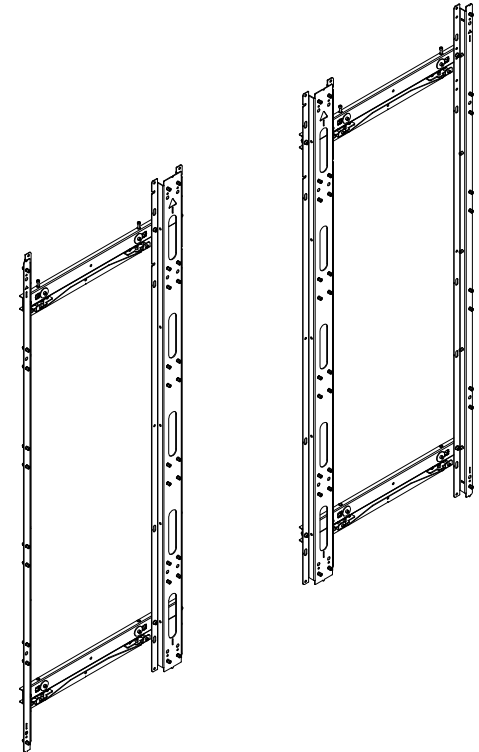
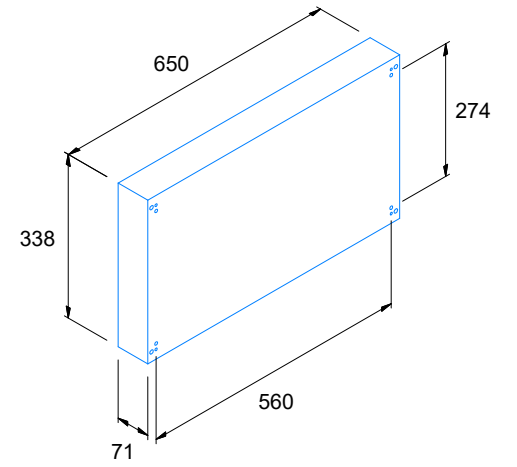


LEDWALL Wallmount LG LSBE 5x5

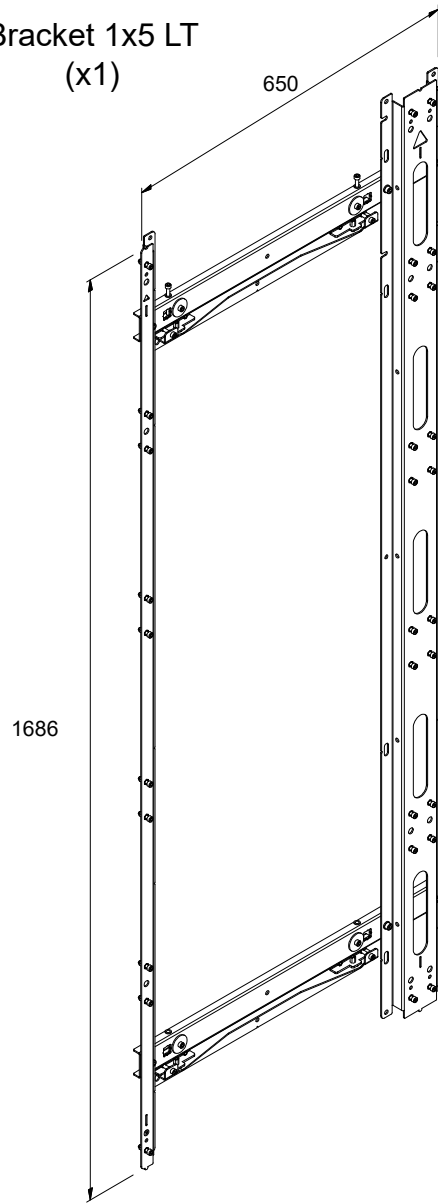


LG LSBE

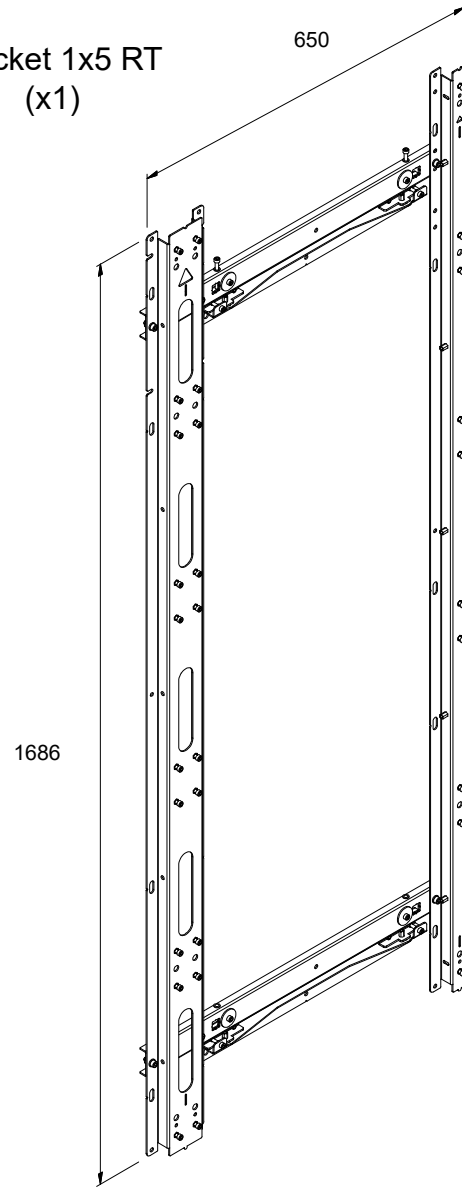


LEDWALL Wallmount LG LSBE 5x5

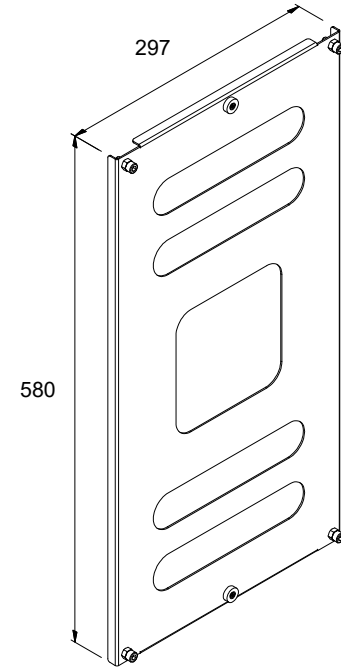
Bracket 1x5 LT
(x1)



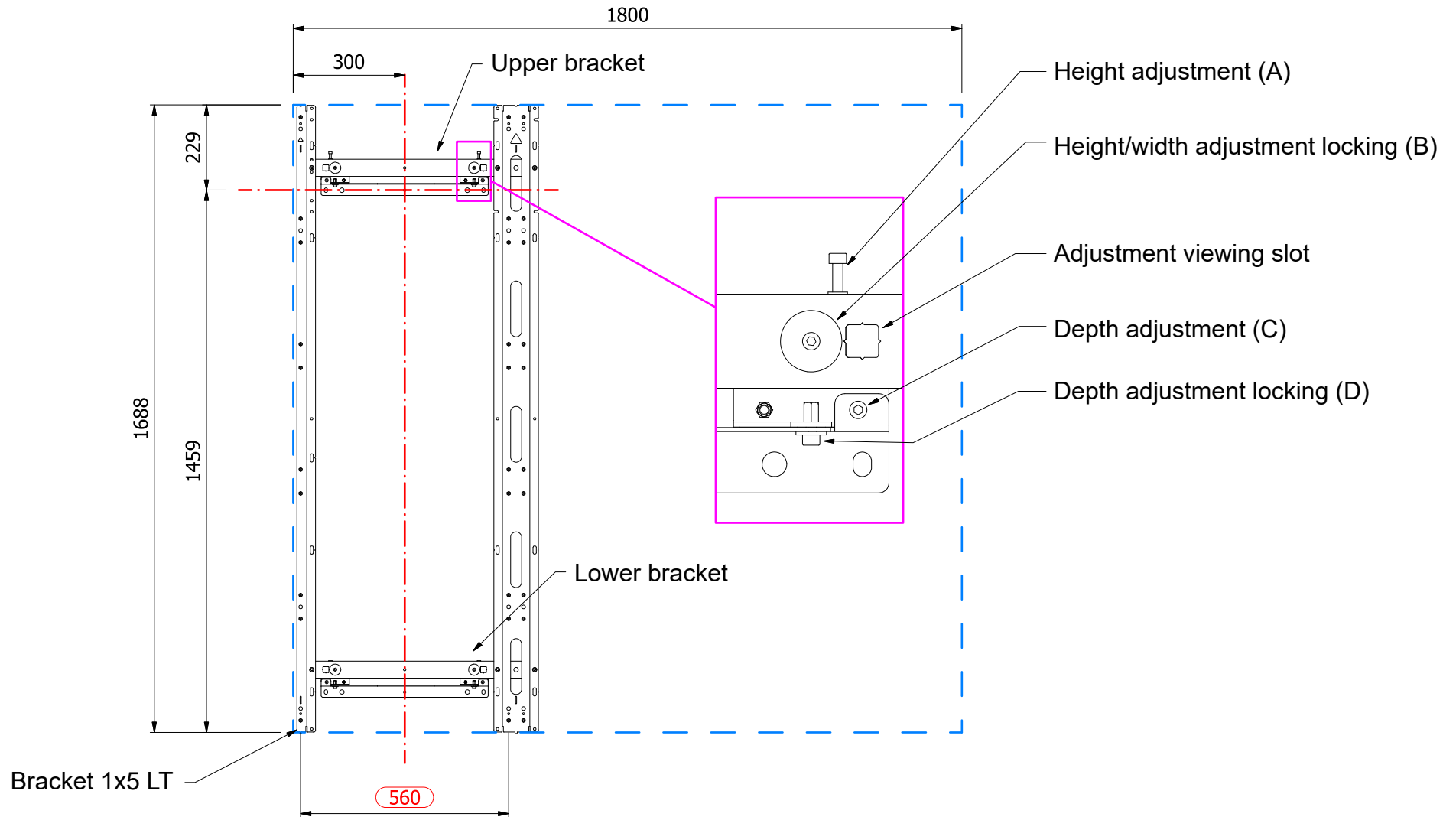
Bracket 1x5 RT
(x1)



Spacer
(x2)



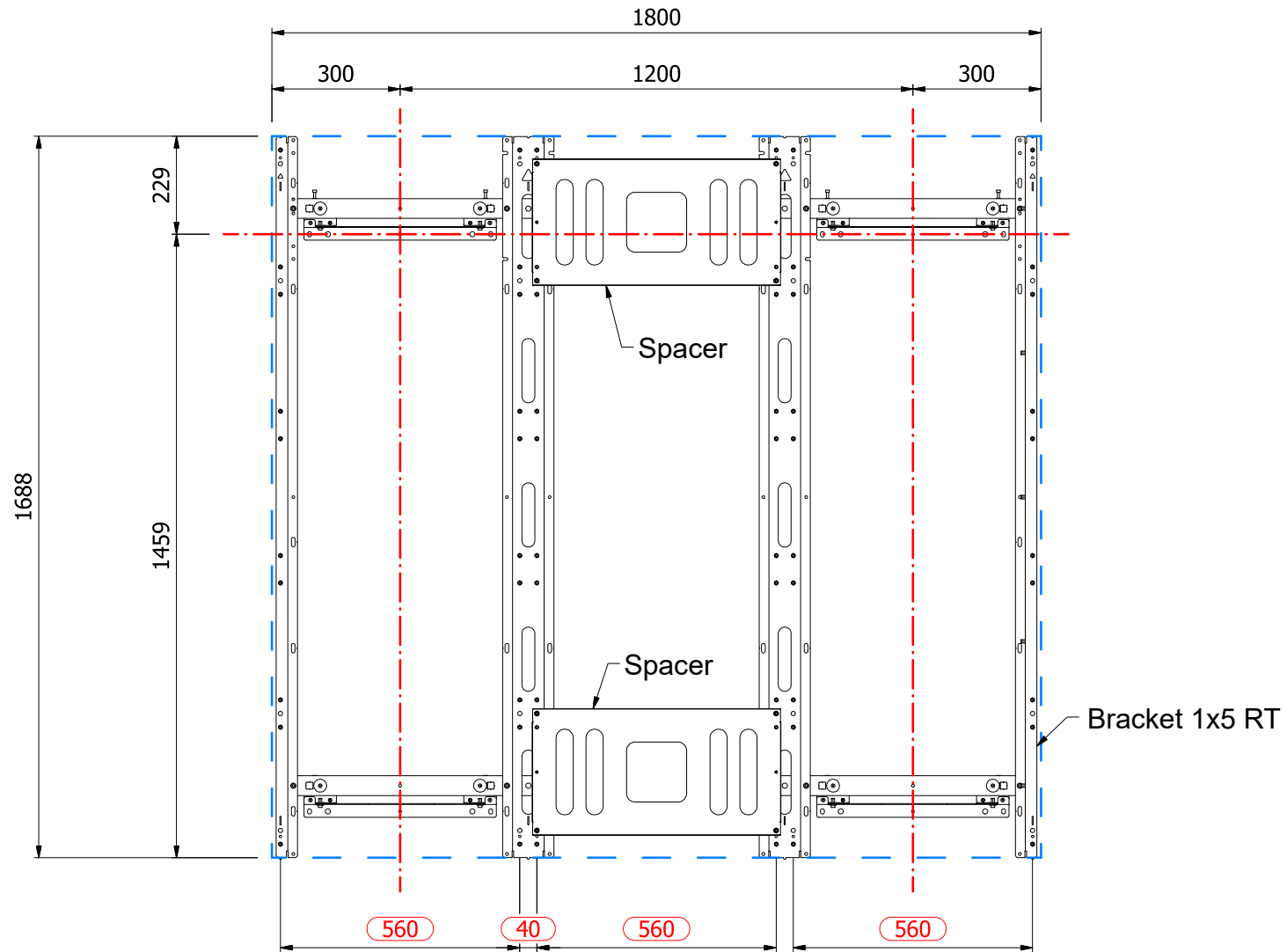
LEDWALL Wallmount LG LSBE 5x5



Secure the upper bracket using the adjustment screws.
Fix the bottom bracket after adjusting the frames.

The anchors are not supplied, the installer must use anchors suitable for the fixing wall.
Minimum scew diameter Ø5 mm.

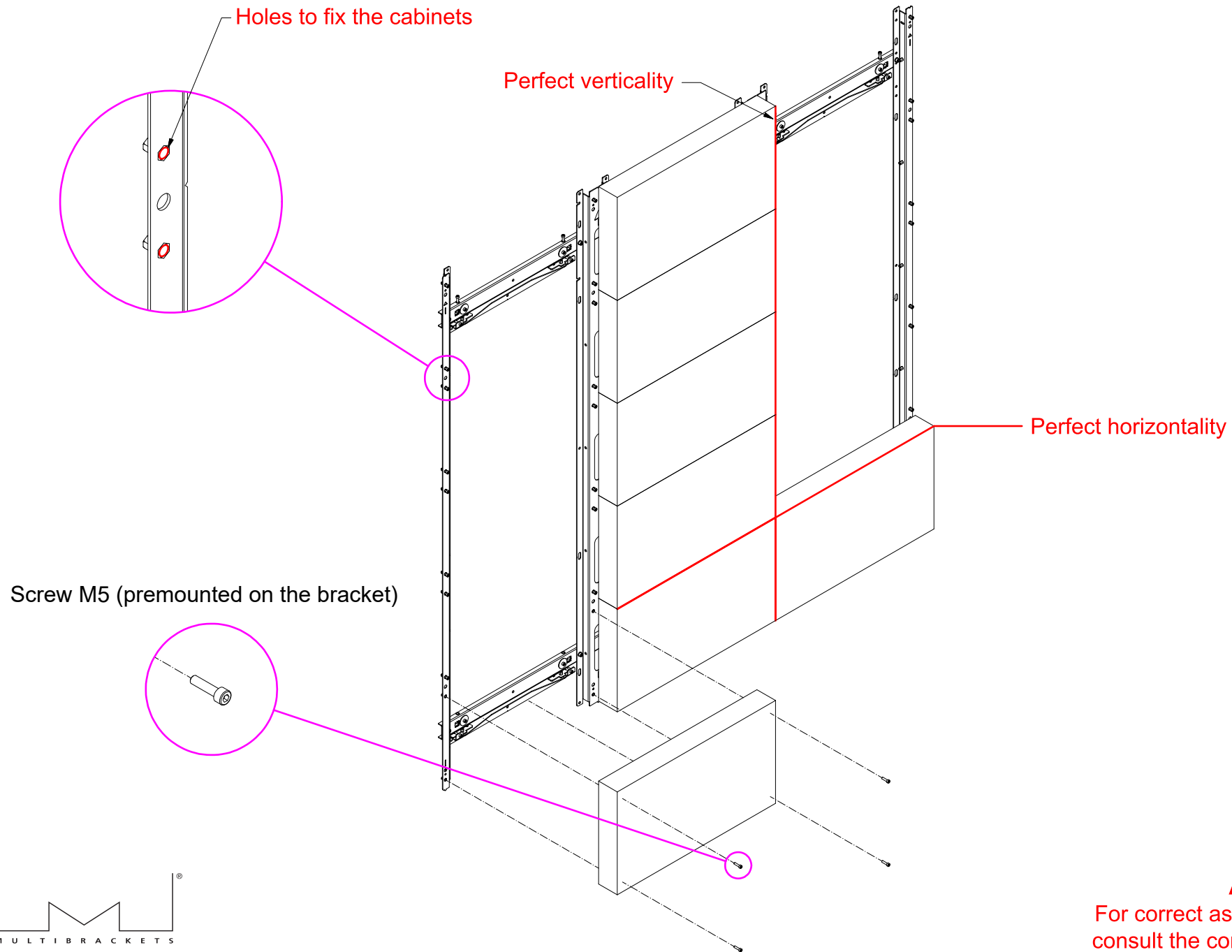
LEDWALL Wallmount LG LSBE 5x5



Attention

Correctly space the frames with the help of the two templates and repeat the same steps as on the previous page.

LEDWALL Wallmount LG LSBE 5x5



Attention
For correct assembly of the cabinets,
consult the corresponding LG manual