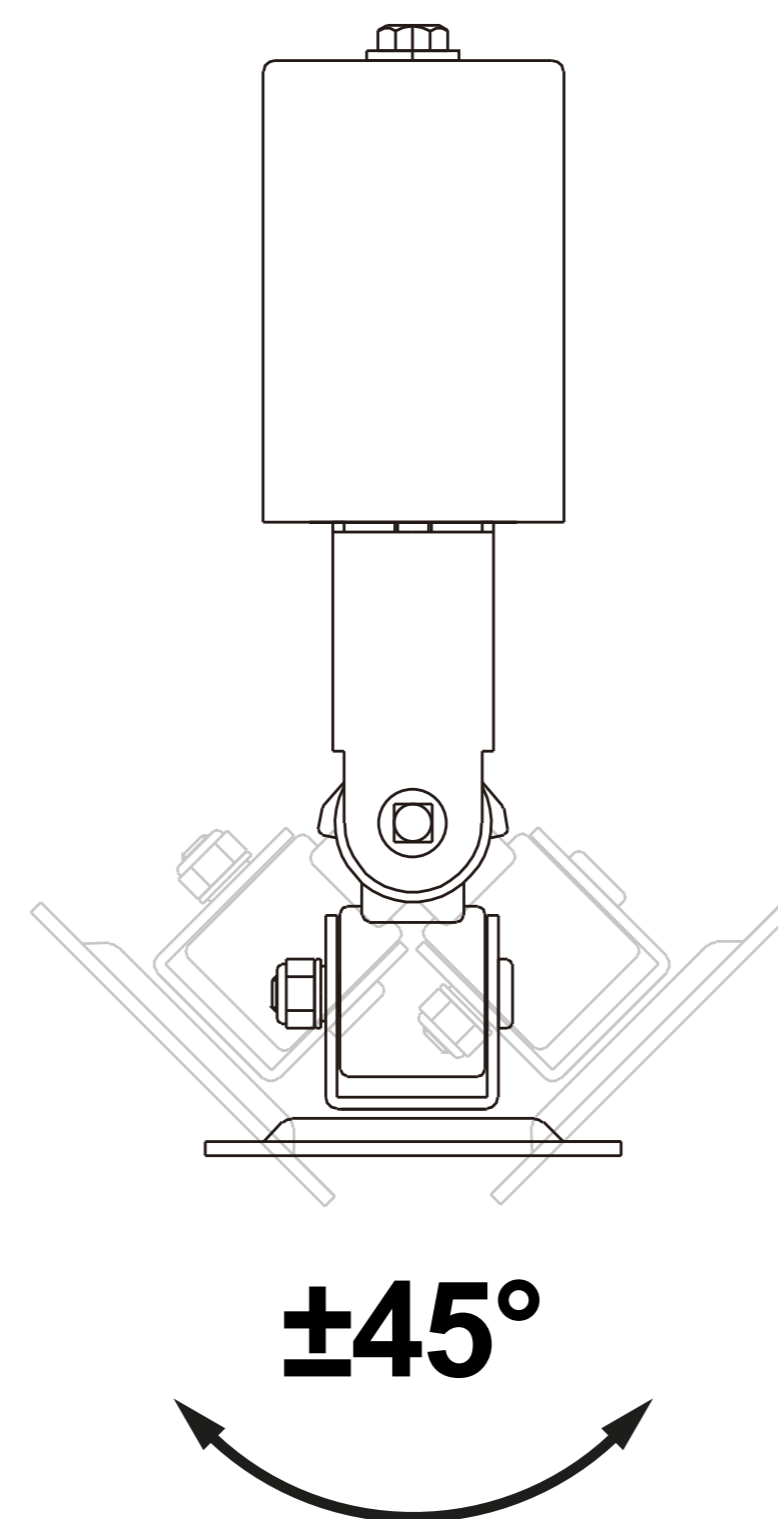
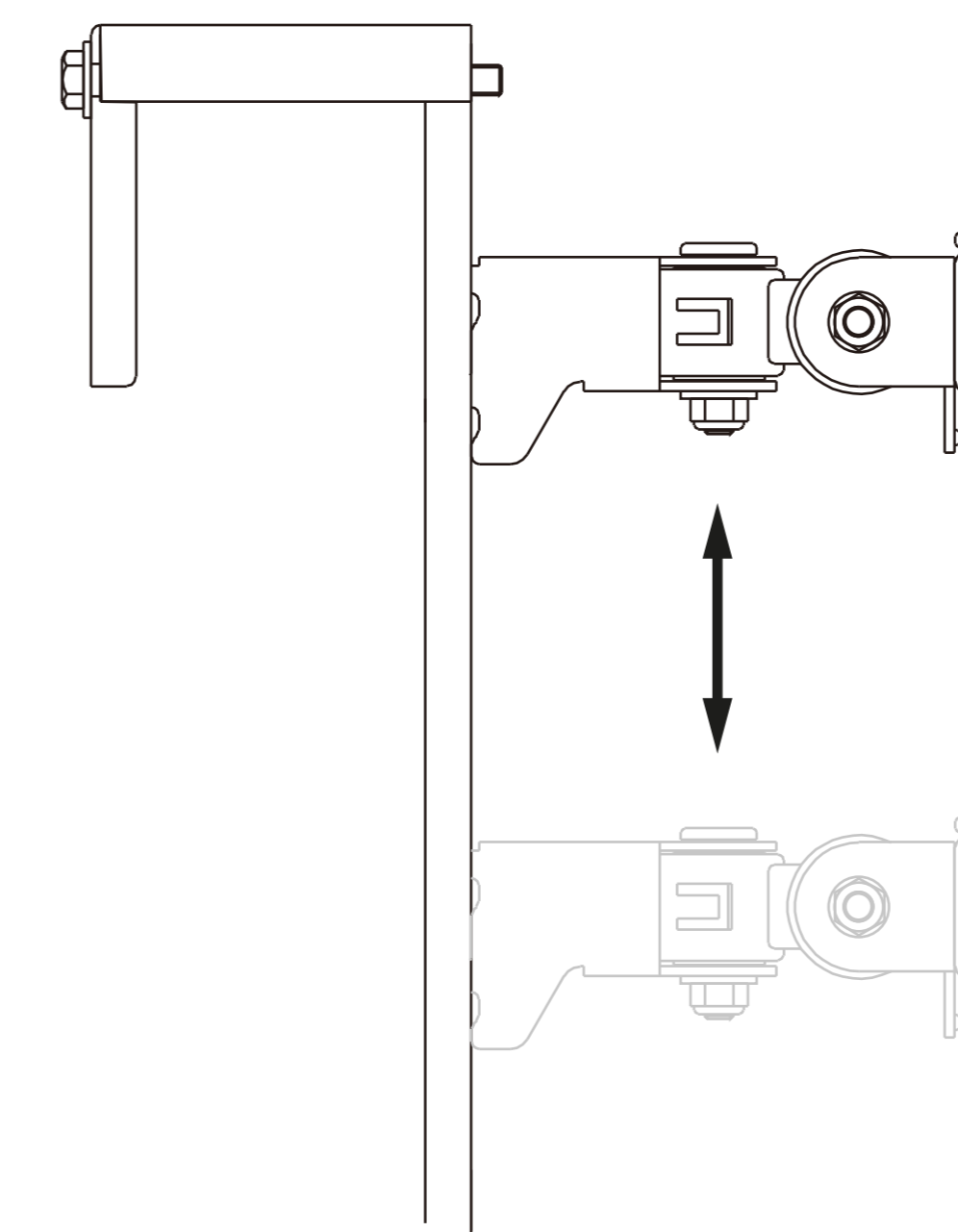


Tilt

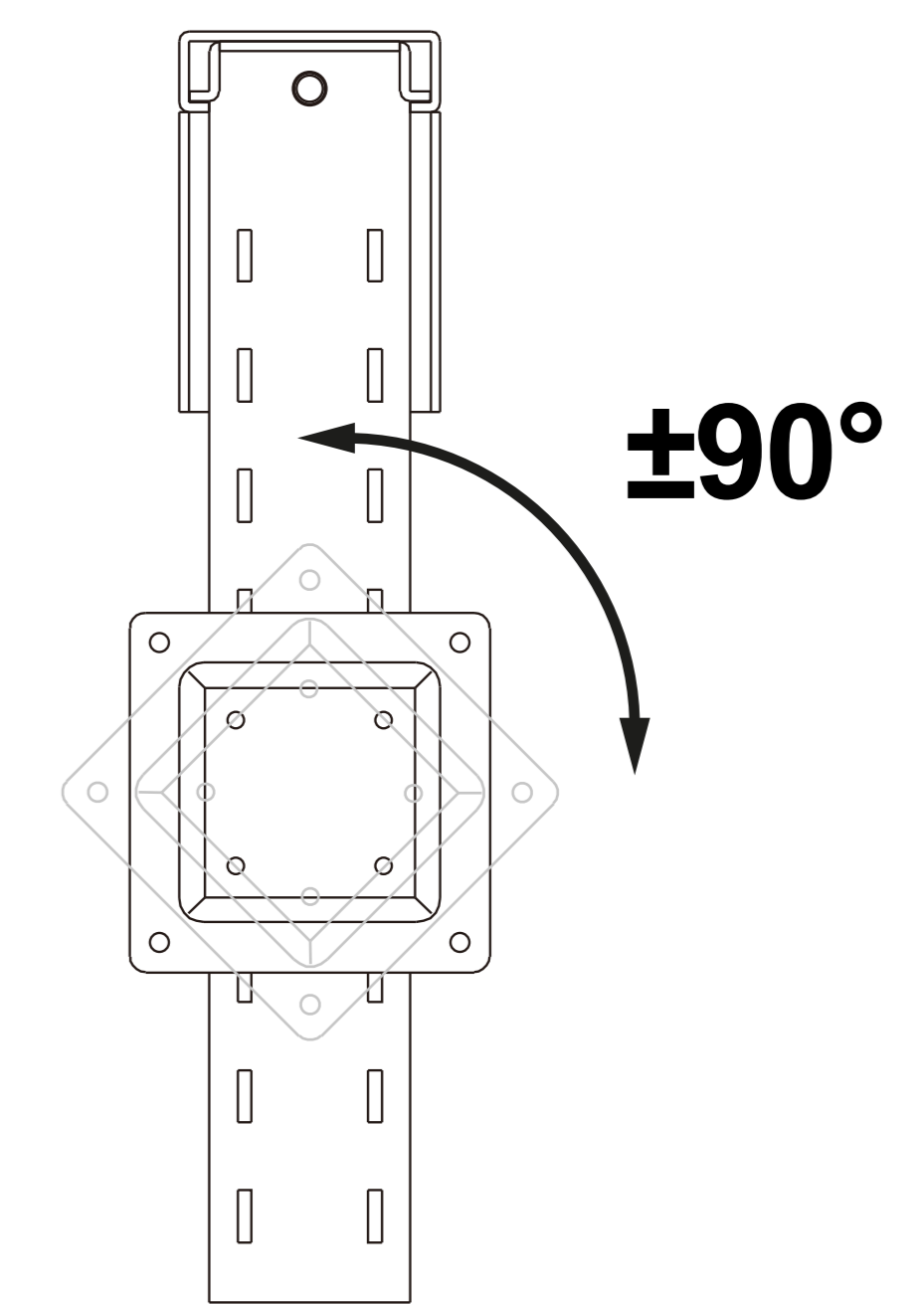
(Top view)



Swivel left and right



Height adjustment



Monitor swivel