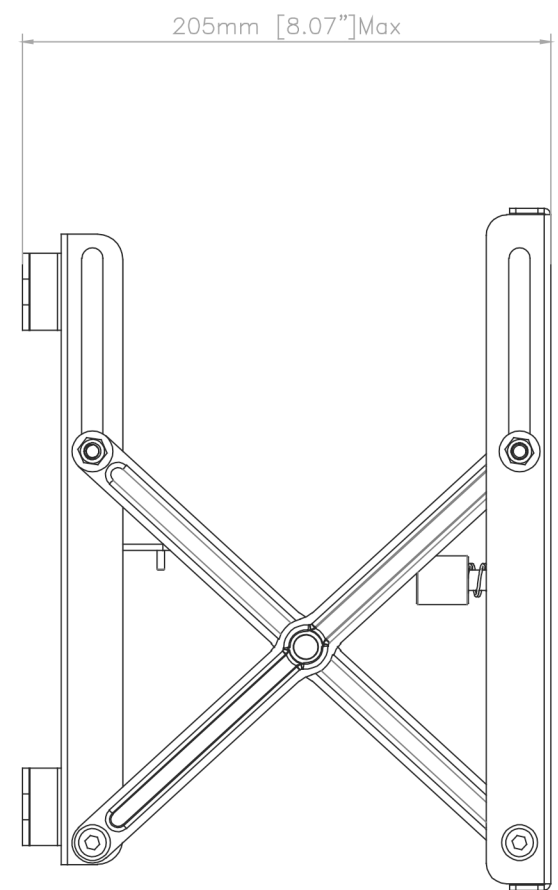
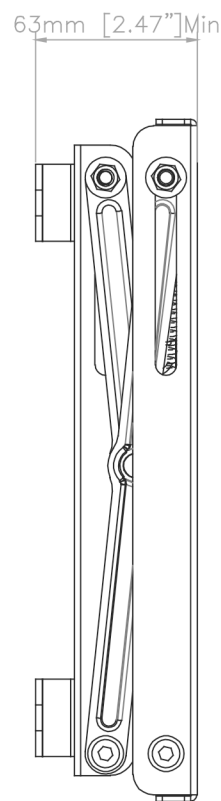
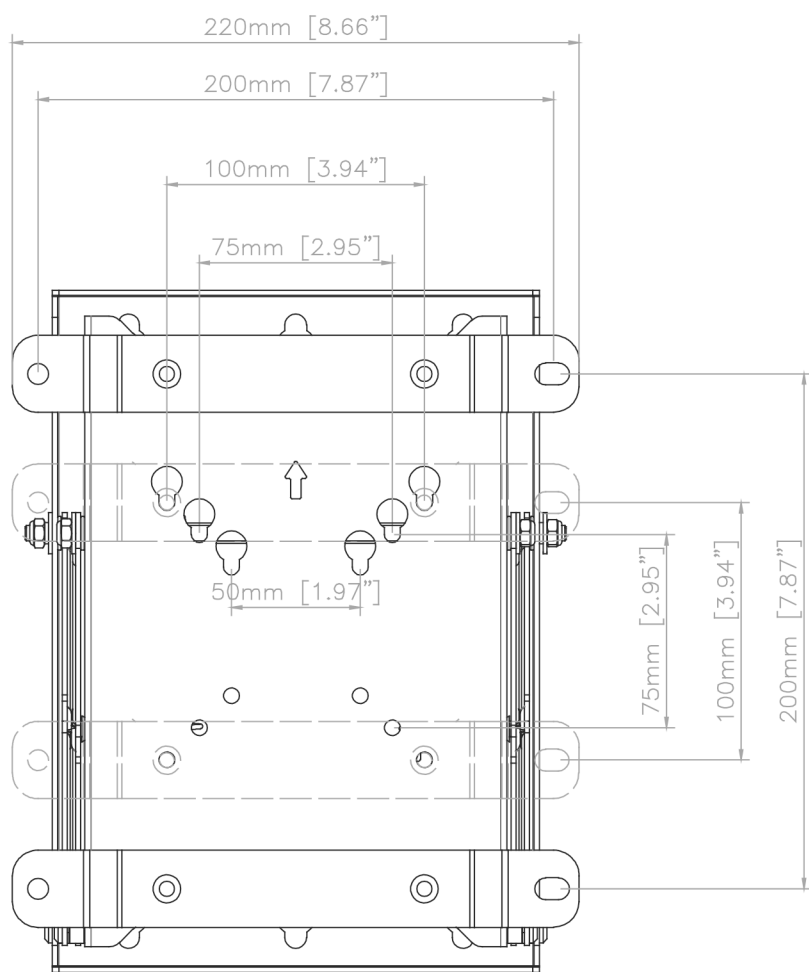
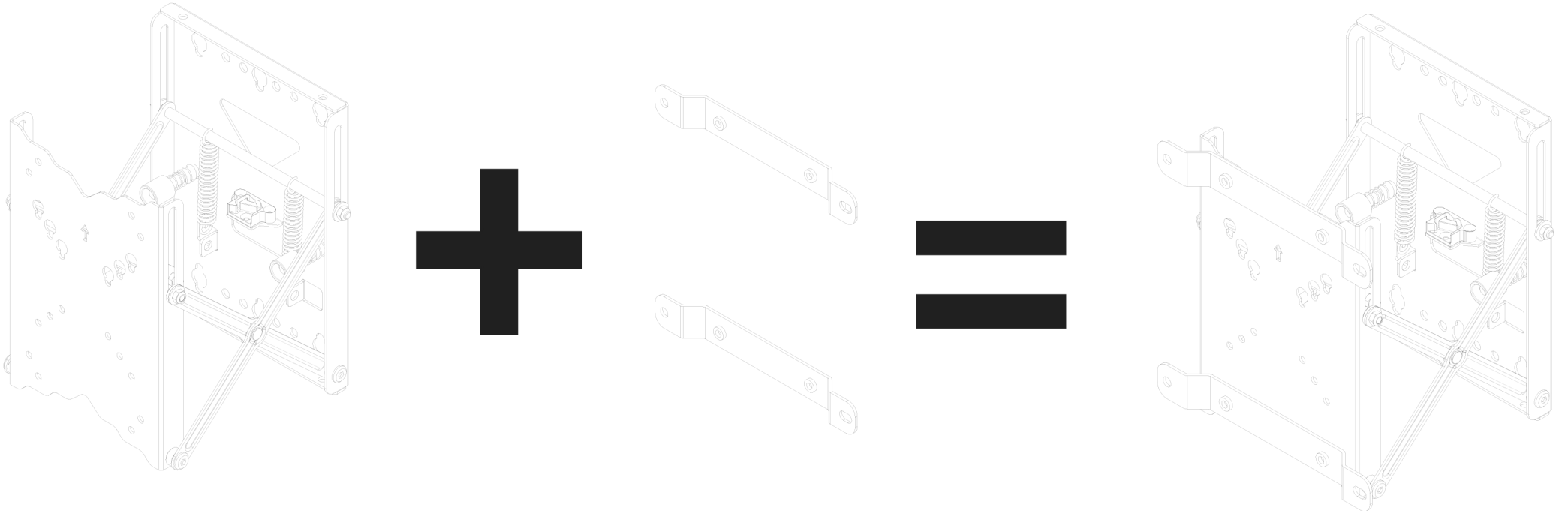


0952#

5322#



- ◆ Information:
- ◆ Max Load Capacity: 55lbs(25kg)
- ◆ TV Dimension: 17"–46"
- ◆ VESA Standard: 50x50, 75x75, 100x100, 100x200
200x100, 200x200mm