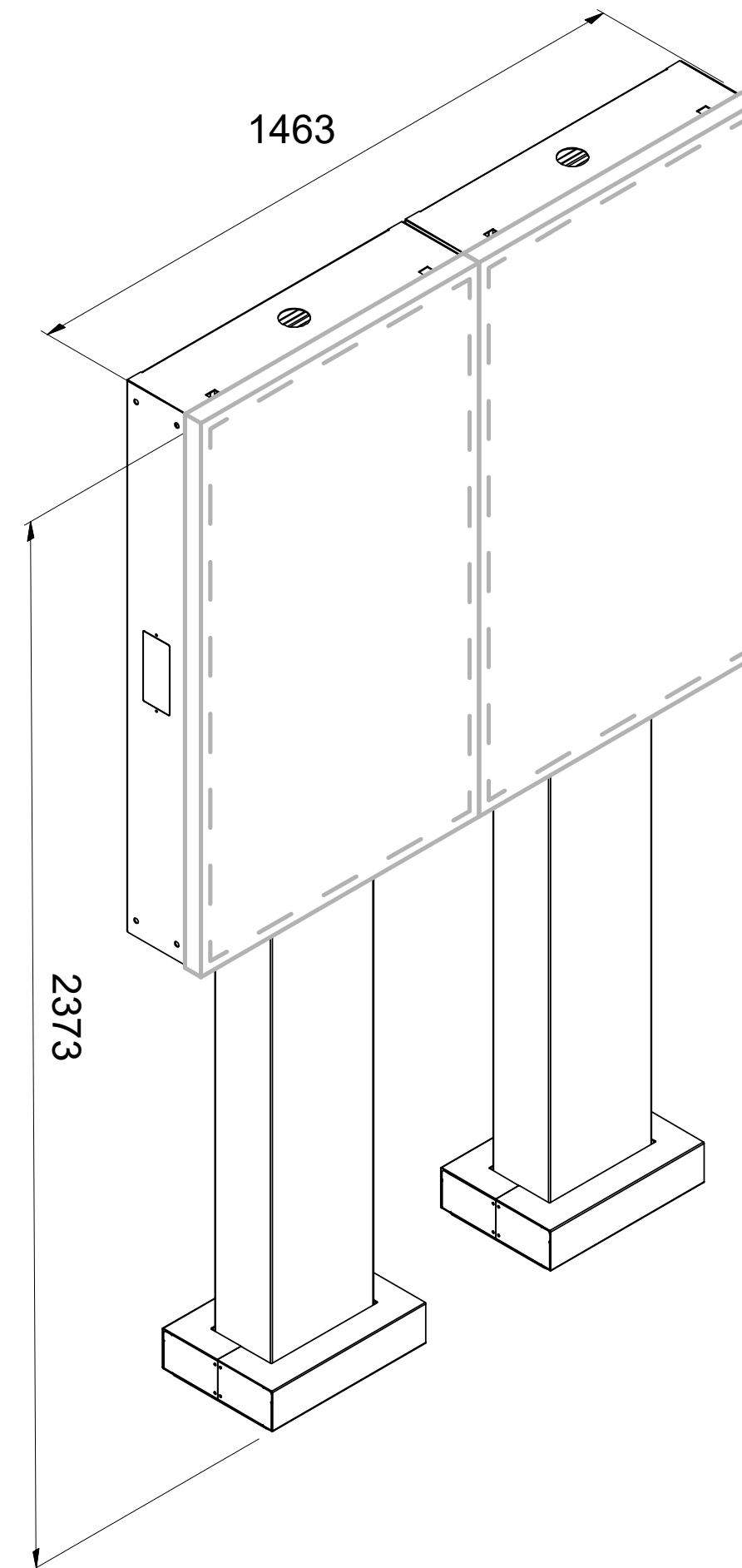
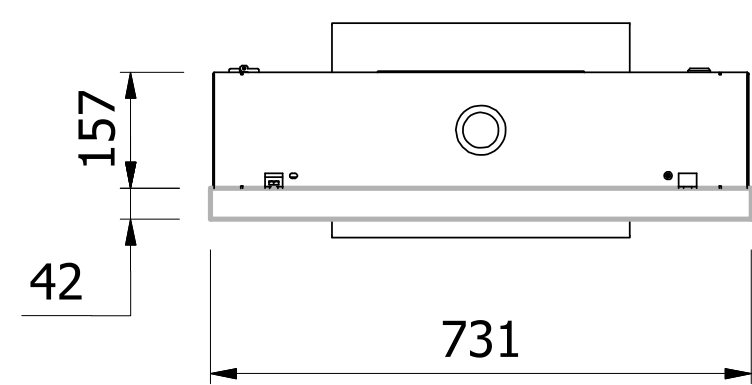
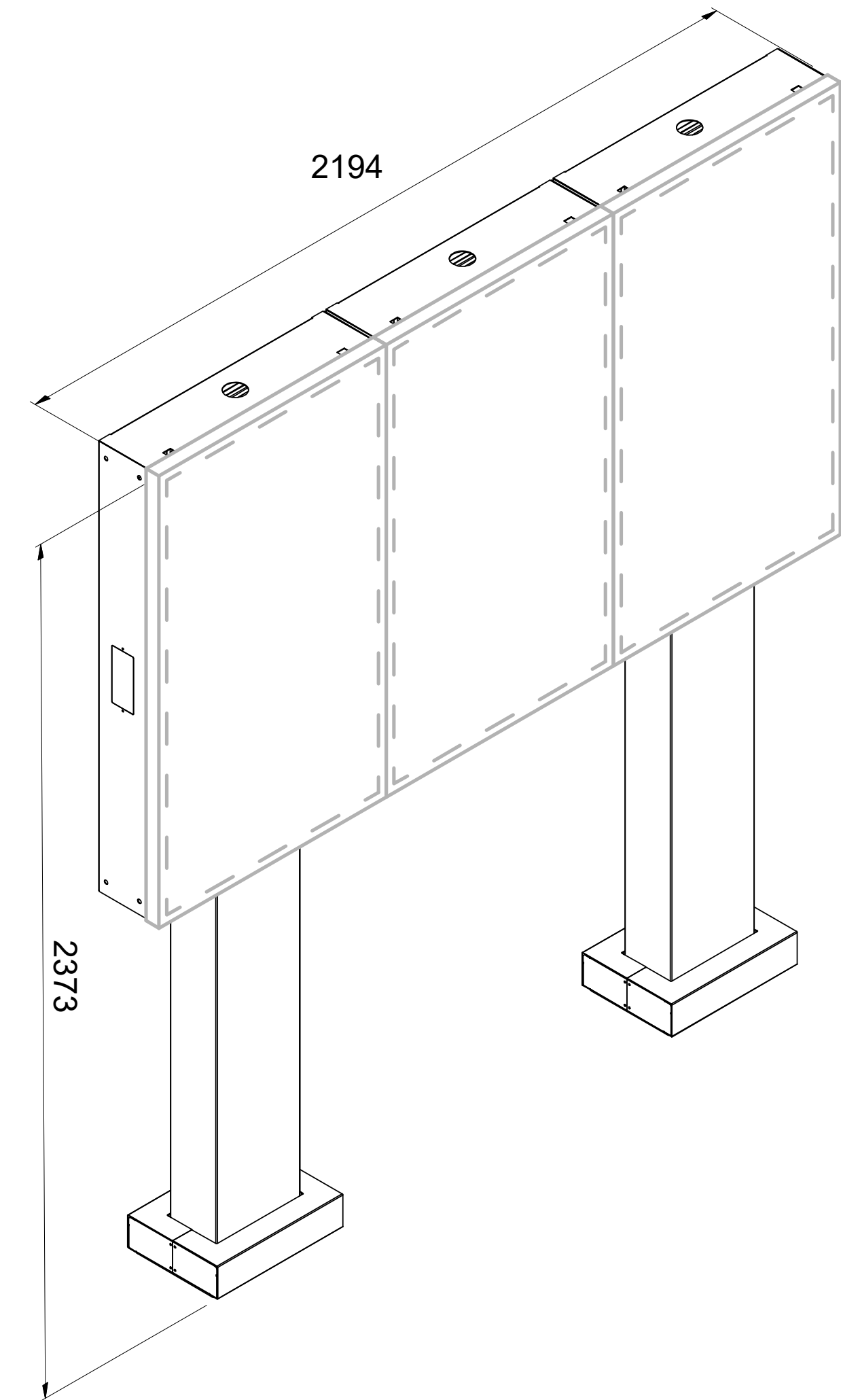


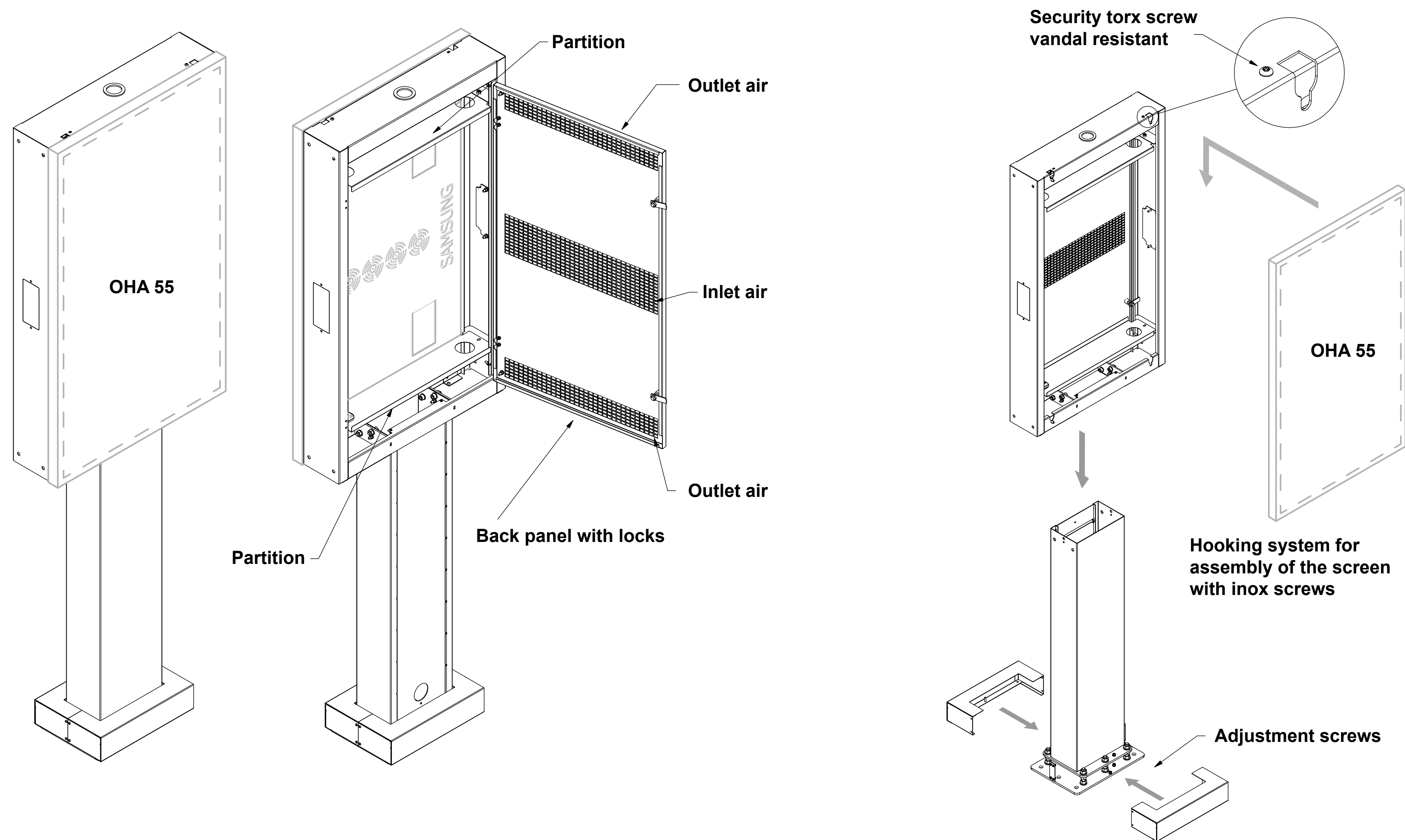
**Stand x2 screens**



**Stand x3 screens**

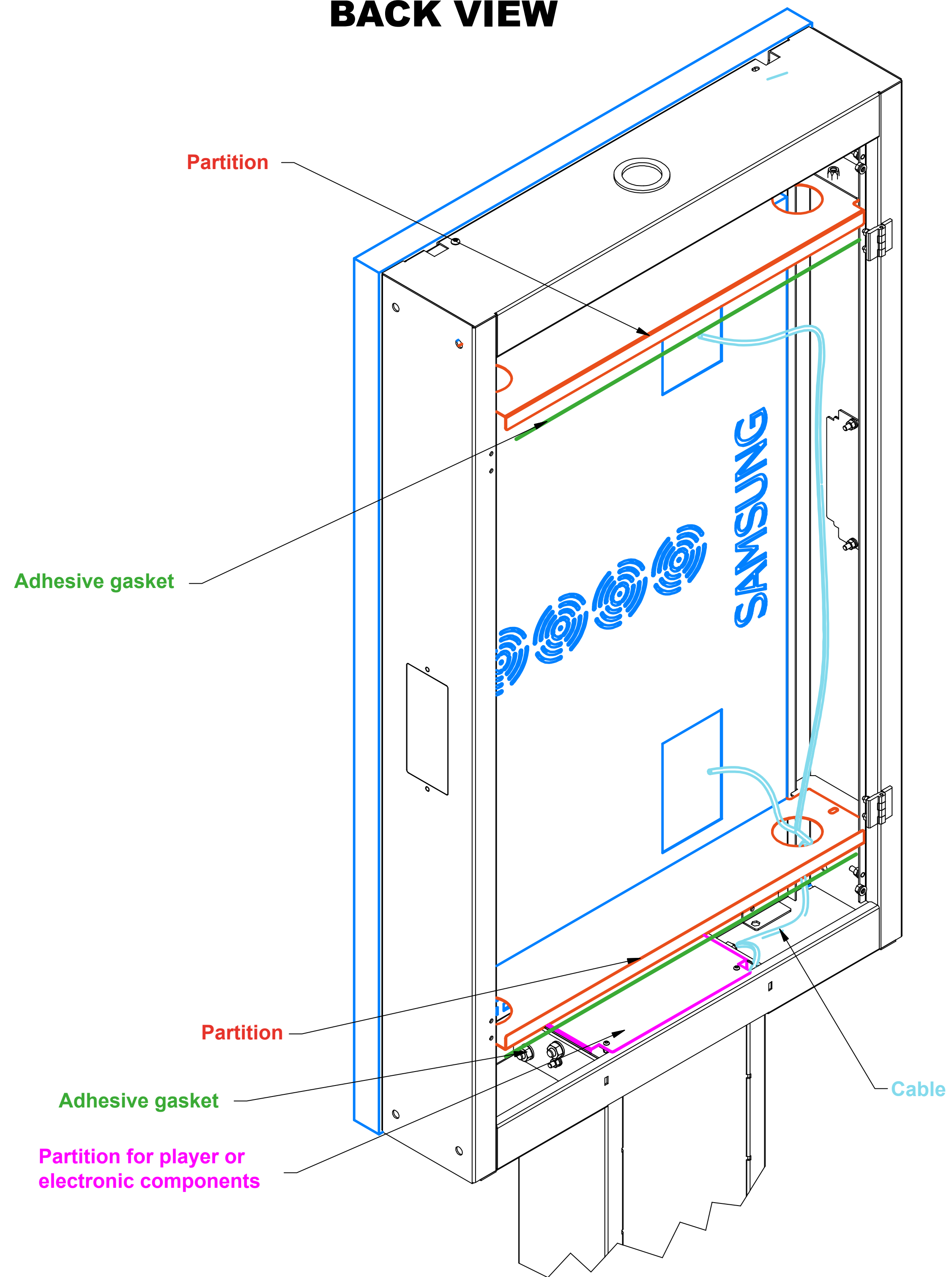


- Iron structure with cataphoresis or galvanizing treatment for outdoor usage
- Polyester powder coated for outdoor usage
- Screws in stainless steel
- Prepared for grounding



- **Total inlet area ventilation:** 85.1000 mm<sup>2</sup>
- **Ventilation inlet opening ratio:** 70%
- **Total outlet ventilation:** 41.687 mm<sup>2</sup> + 41687 mm<sup>2</sup>
- **Ventilation outlet opening ratio:** 71%

## BACK VIEW



## SECTIONAL PLAN VIEW

