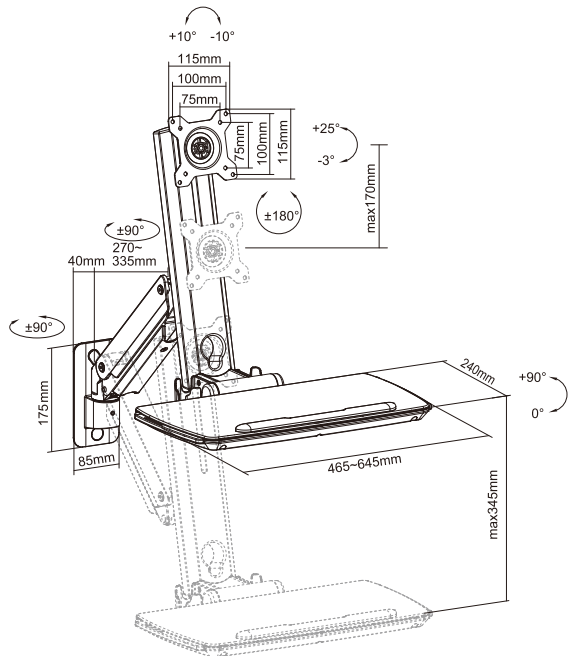


# Installation manual

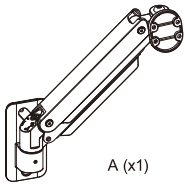
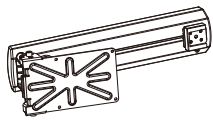


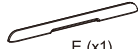
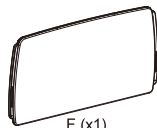










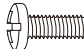




## M Workstation Arm Single Basic

EAN: 7350105216800

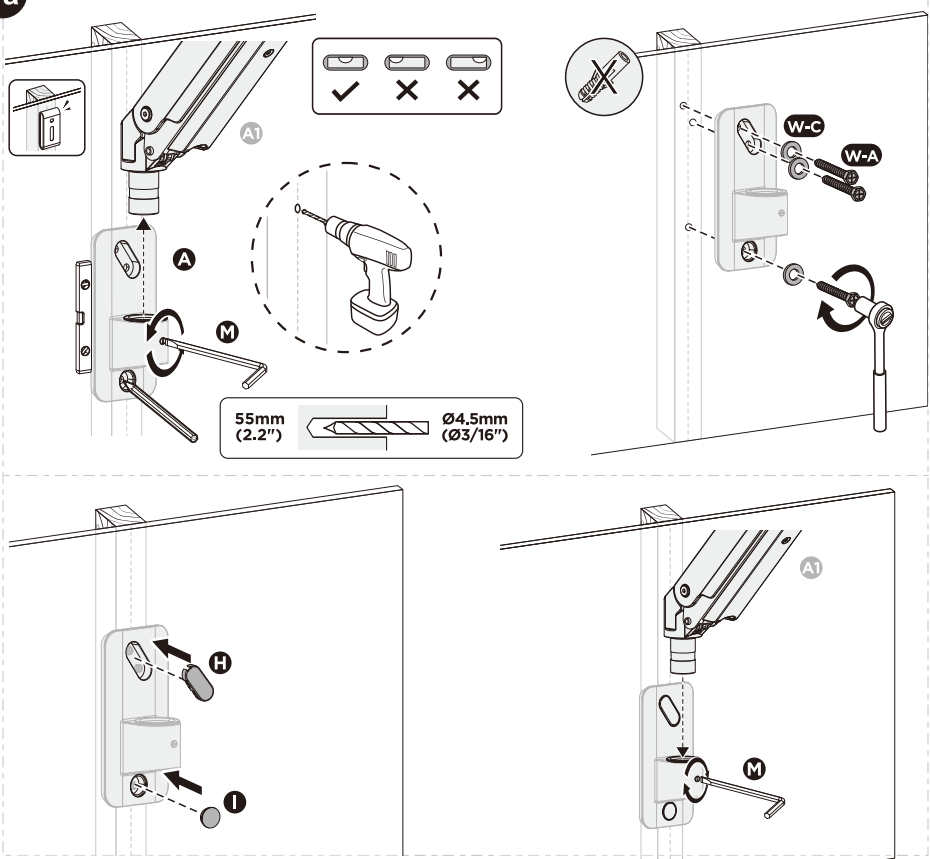
- (en) Installation Manual
- (ar) تېپىش ئىشلىتىش كىتابى
- (cz) Instalační manuál
- (de) Installationsmanual
- (de) Installationsanleitung
- (es) Paigaldusjuhend
- (el) Οδηγίες εγκατάστασης
- (es) Manual de instalación
- (fi) Asennusohje
- (fr) Installation Manuel
- (he) הנחיה לרדמה
- (hu) Szerelési kézikönyv
- (it) Manuale di installazione
- (jp) 取り付け説明書
- (kr) 설치 설명서
- (lt) Montavimo instrukcija
- (lv) Uzstādīšanas rokasgrāmata
- (nl) Installatie handleiding
- (no) Installasjonshåndbok
- (pl) Instrukcja instalacji
- (pt) Manual de instalação
- (pt) Manual de instalar
- (ru) Инструкция по установке
- (sk) Inštaláčny manuál
- (sl) Navodila za montažo
- (sv) Installationsmanual
- (tr) Montaj kılavuzu
- (zh) 安装手册






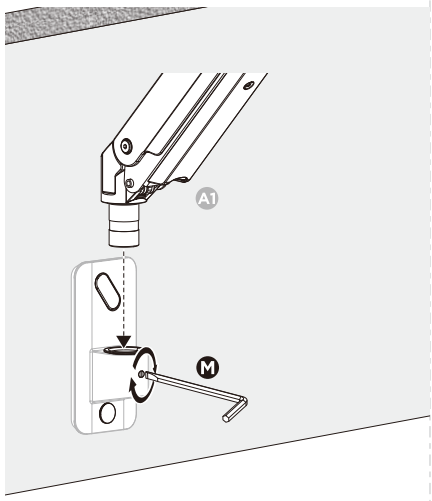
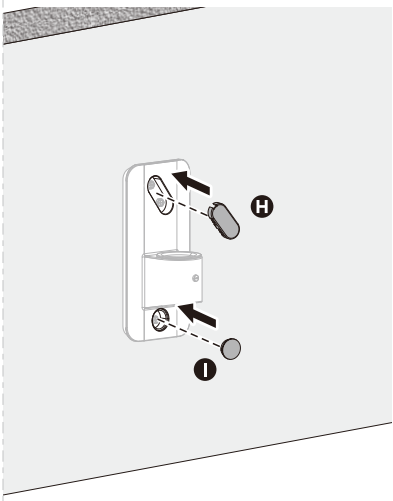
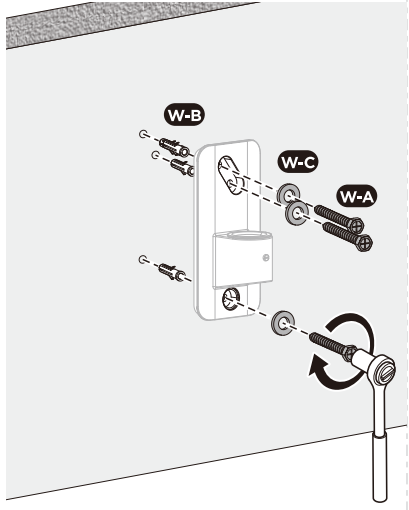
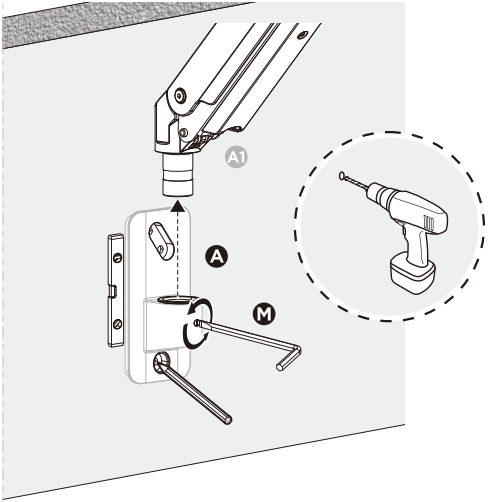
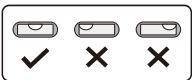
 A (x1)		 B (x1)		 C (x1)	 D (x2)	 E (x1)			
 F (x1)		 G (x2)	 H (x1)	 I (x1)	 J (x4) ST4.2x12	 K (x4) M4x12	 L (x4) M6x15	 M (x1) 4mm	 N (x1) 5mm
 O (x1) 6mm	 M-A (x4) M4x12	 M-B (x4) M5x12	 M-C (x4) D5	 W-A (x3) ST6.3x55		 W-B (x3) Ø10x45	 W-C (x3) D6		

1a



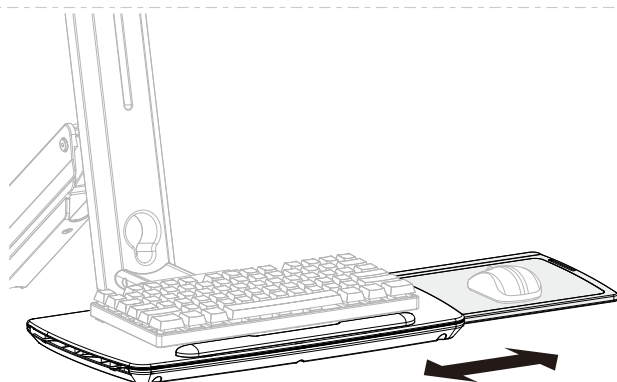
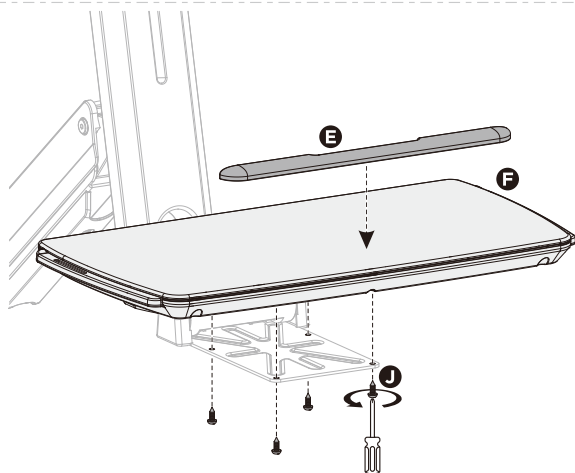
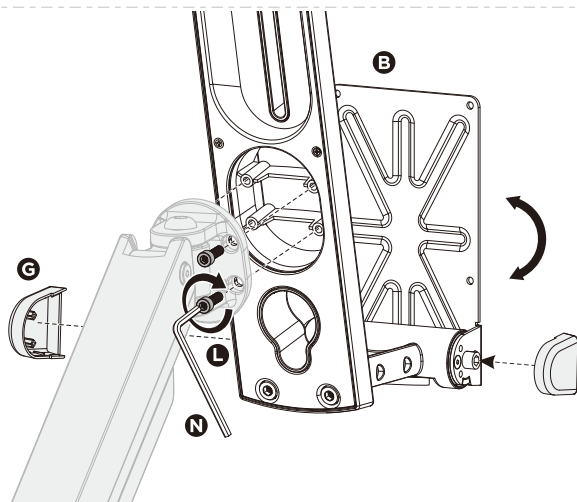
1b

60mm (2.4")  Ø10mm (Ø3/8")

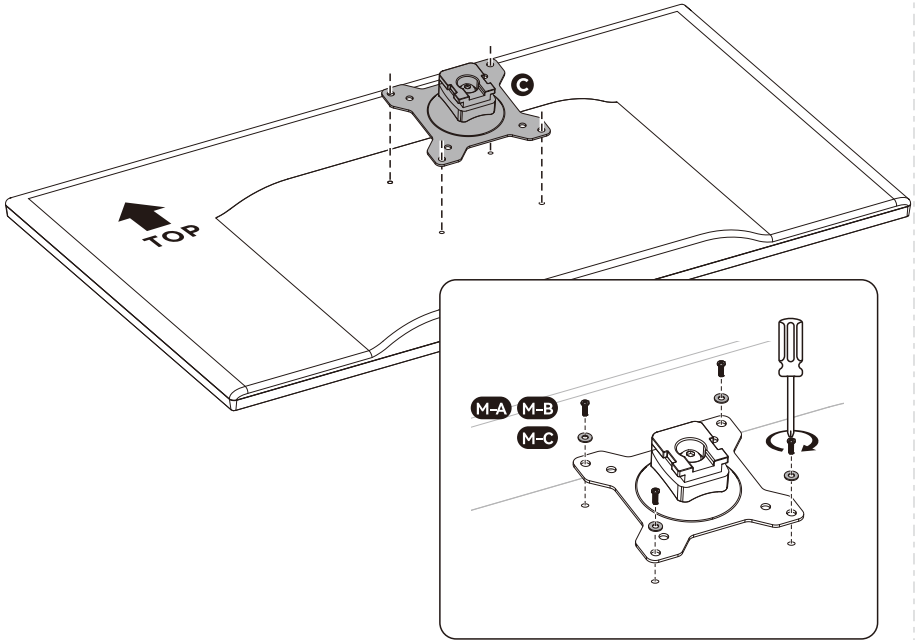




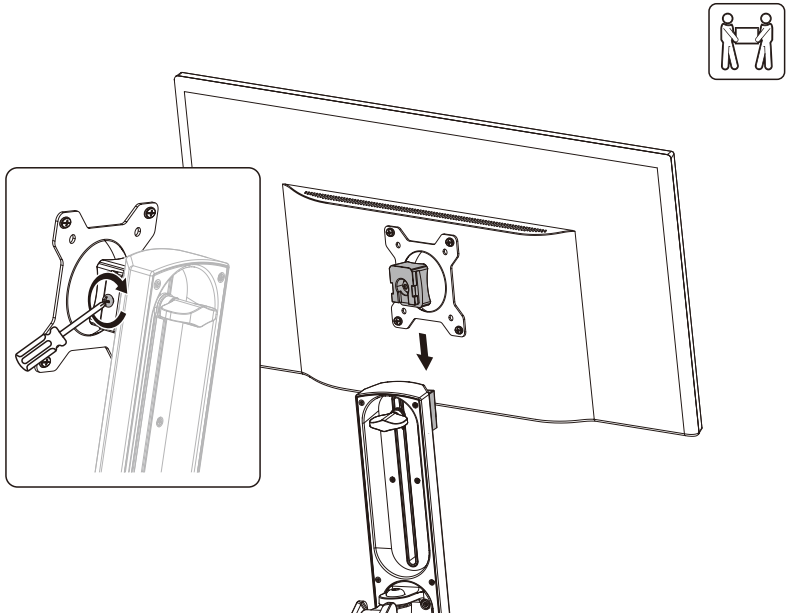
2



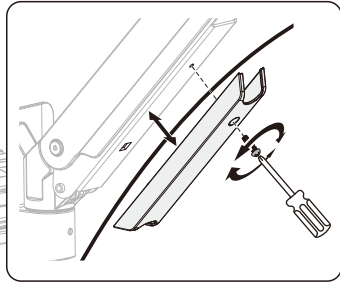
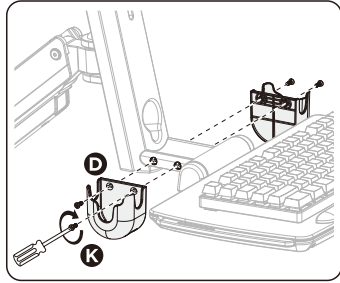
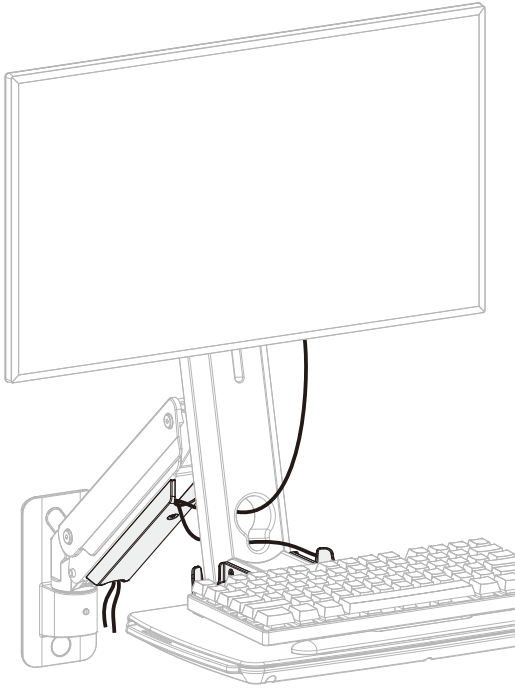
3



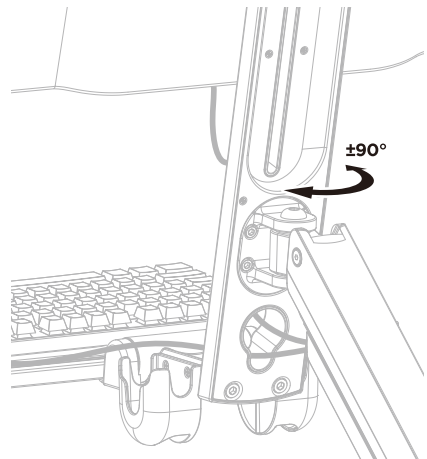
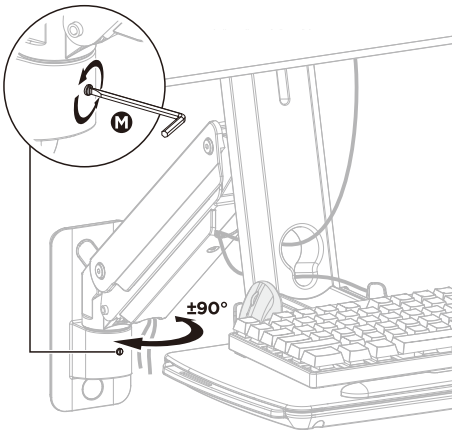
4

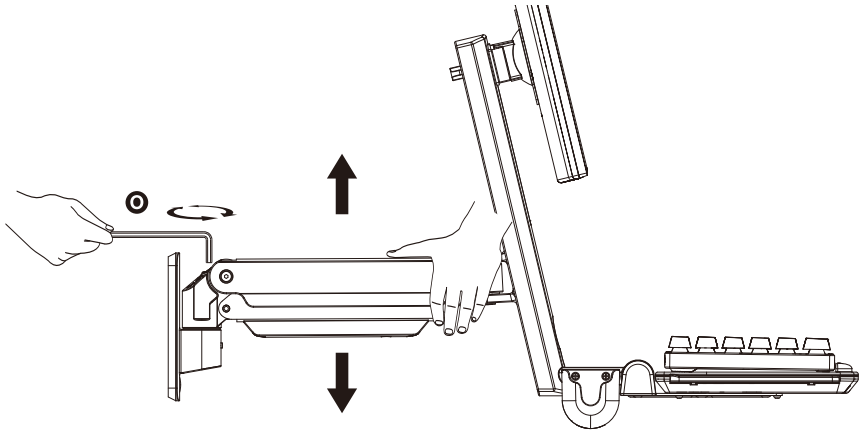


5



6





To properly balance the arm with monitors mounted, adjust the spring tension using the supplied Allen Key as follows:

First, position and firmly hold the arm horizontally as shown. Ask for assistance should you require it.



**CAUTION:** To avoid damage to monitors or mount, always keep the arm in a horizontal position while making adjustments. Again, ask for assistance if required.



If the arm **drops**, turn the adjustment screw counter-clockwise until it stays in a horizontal position



If the arm rises, turn the adjustment screw clockwise until it stays in a horizontal position.



**CAUTION:** **DO NOT** over tighten the screws.

