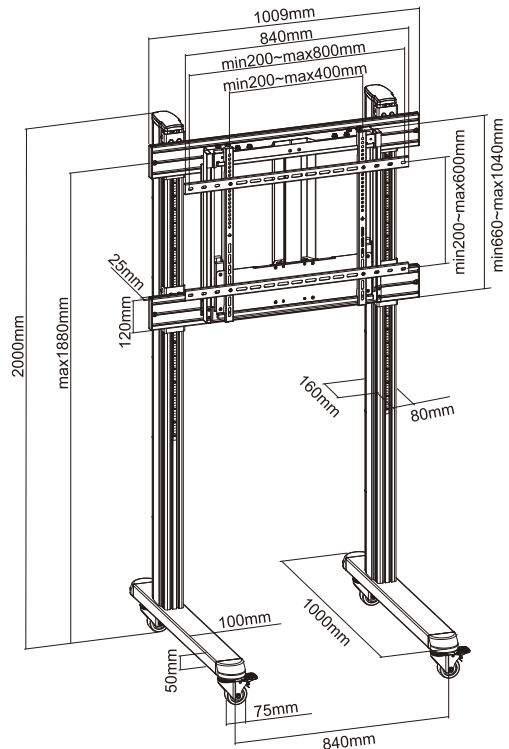


# Installation manual





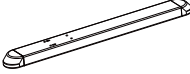
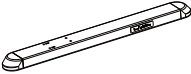









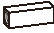









## M Counterbalanced Floorstand

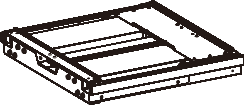
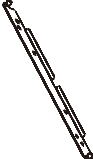









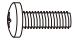
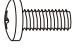
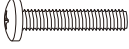

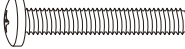


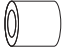
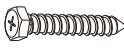


EAN: 7350073737741&7350073737758

- (en) Installation Manual
- (ar) تيوب تابلو ليد
- (cz) Instalační manuál
- (de) Installationsmanual
- (de) Installationsanleitung
- (es) Paigaldusjuhend
- (el) Οδηγίες εγκατάστασης
- (es) Manual de instalación
- (fi) Asennusohje
- (fr) Installation Manuel
- (he) הנקה ירידה
- (hu) Szerelési kézikönyv
- (it) Manuale di installazione
- (jp) 取り付け説明書
- (kr) 설치 설명서
- (lt) Montavimo instrukcija
- (lv) Uzstādīšanas rokasgrāmata
- (nl) Installatie handleiding
- (no) Installasjonshåndbok
- (pl) Instrukcja instalacji
- (pt) Manual de instalação
- (pt) Manual de instalare
- (ru) Инструкция по установке
- (sk) Inštaláčny manuál
- (sl) Navodila za montažo
- (sv) Installationsmanual
- (tr) Montaj kılavuzu
- (zh) 安装手册



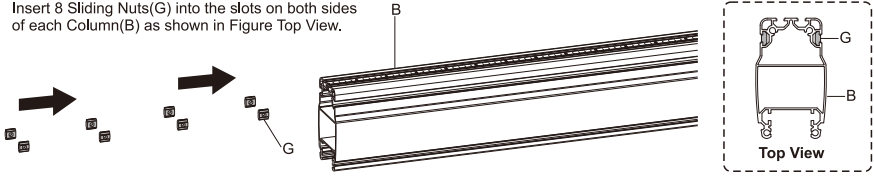


 A (x2)		 B (x2)			
 C (x1)	 D (x1)	 E (x1)	 F (x1)	 G (x36)	
 H (x4)	 I (x4)	 J (x2)	 K (x4)	 L (x4)	 M (x12)
 N (x2)	 O (x4)	 P (x1)	 Q (x3)	 M8x90 R (x8)	 M8x12 S (x38)
 M8x10 T (x4)	 D8 U (x4)	 5mm V (x1)	 6mm W (x1)	 X (x1)	 Y (x1)

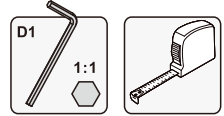
 a (x1)		 b (x1)	 c (x1)	 d (x2)	 e (x2)
 f (x1)	 M6x12 (x4) g	 M6x16 (x2) h	 M6x25 (x2) i	 j (x4)	 k (x1)
 M5x14 (x4) M-A	 M6x14 (x4) M-B	 M6x30 (x4) M-C	 M8x30 (x4) M-D	 M8x50 (x4) M-E	
 (x4) M-F	 (x8) M-G	 (x8) M-H	 W-A (x6)	 W-B (x6)	 W-C (x6)

1

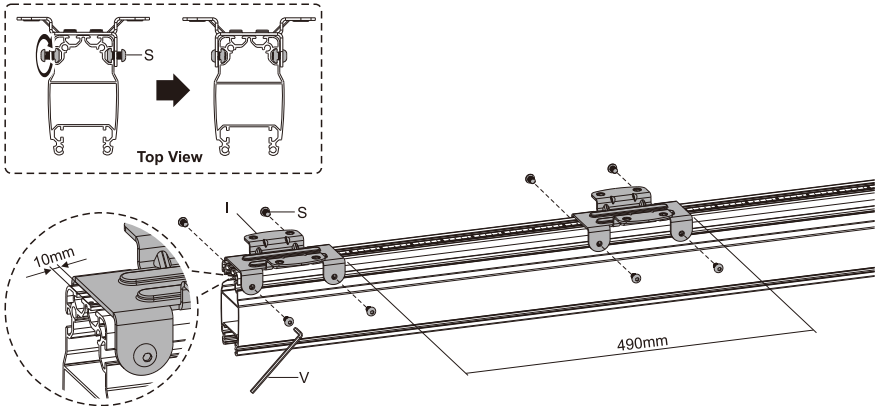
Insert 8 Sliding Nuts(G) into the slots on both sides of each Column(B) as shown in Figure Top View.



- Align the mounting holes on sliding nuts to the holes found on the connecting plate as shown in the Top View illustration below. Attach the Connecting Plate(M) to the Column(B). You will not tighten the Screws(S) in this step.
- Use the tape measure(not included) to set the distance between the bottom of connecting plates on the column. Make sure the distance is 490mm(19.3"). Once set, tighten the Screws(S).

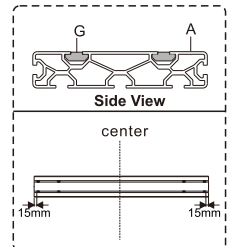
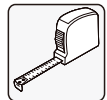
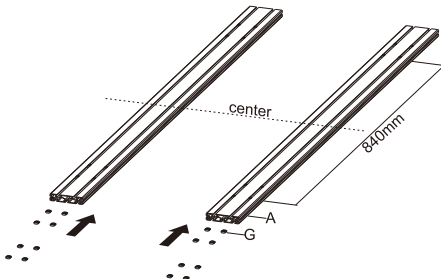


**Note:** Leave at least 10mm gap at the top of the column for the end cap.

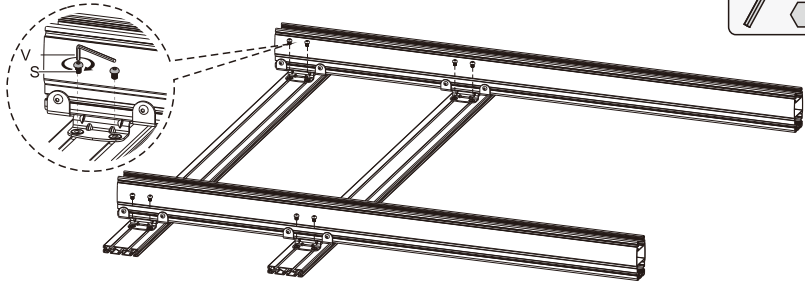
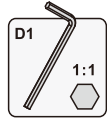


2

- Lay Mounting Rails(A) on the floor with the two slots side facing upward.
- Insert 8 Sliding Nuts(G) into 2 slots on each mounting rail as shown in Figure Side View and position the nuts centrally on the rails.



- Align the mounting holes on sliding nuts to the holes found on the connecting plate. Attach the assembled column to the Mounting Rails(A) with Screws(S).
- Use the tape measure to make sure the position of mounting rails are parallel.



3

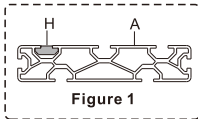


Figure 1

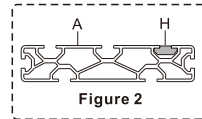
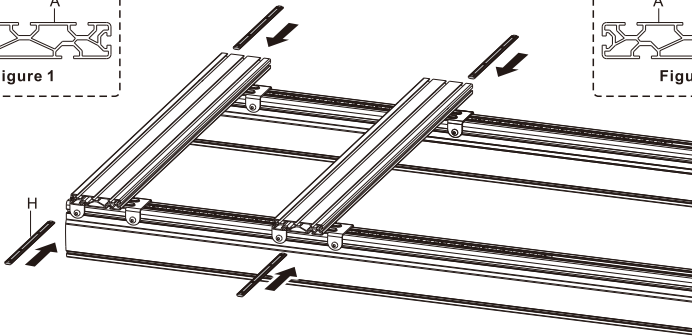
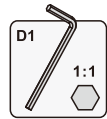
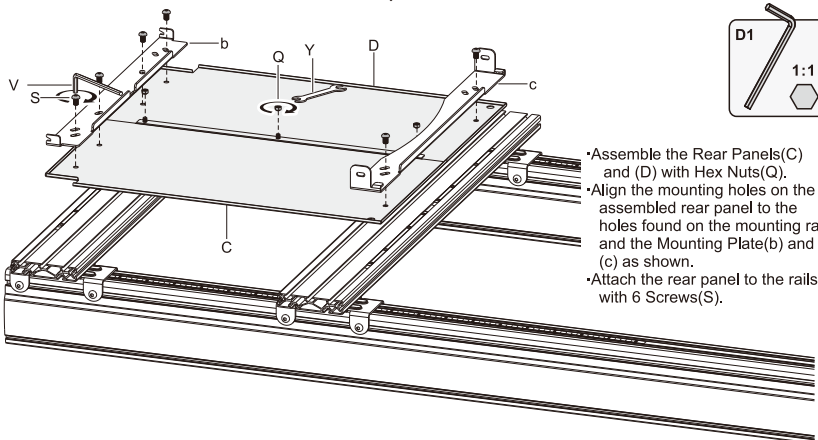


Figure 2



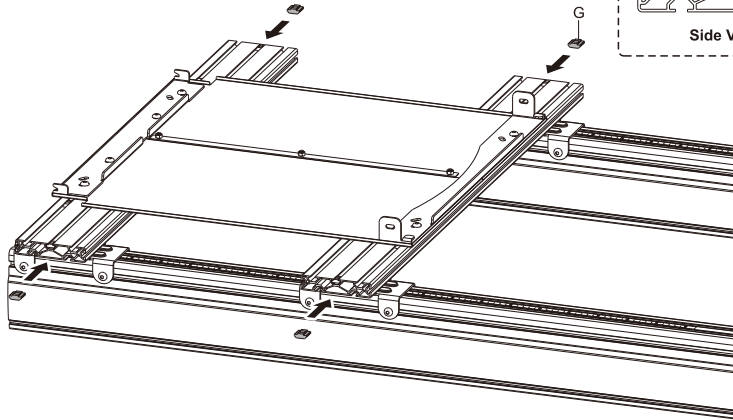
- Insert 2 Connecting Bar(H) to the top slot of the top rail as shown in the Figure 1.
- Insert 2 Connecting Bar(H) to the bottom slot of the bottom rail as shown in the Figure 2.



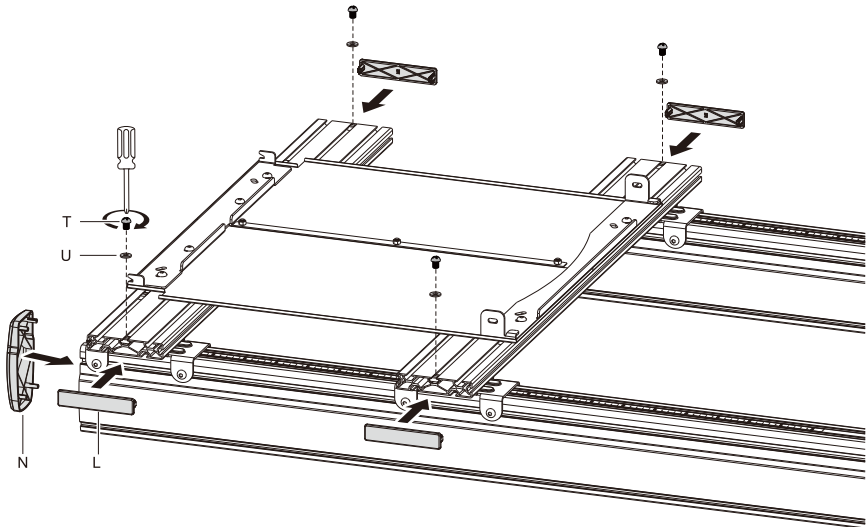
- Assemble the Rear Panels(C) and (D) with Hex Nuts(Q).
- Align the mounting holes on the assembled rear panel to the holes found on the mounting rails and the Mounting Plate(b) and (c) as shown.
- Attach the rear panel to the rails with 6 Screws(S).

4

Insert 2 Sliding Nuts(G) into the middle slot on each mounting rail as shown in the illustration below and position the nuts to the ends of the rails.



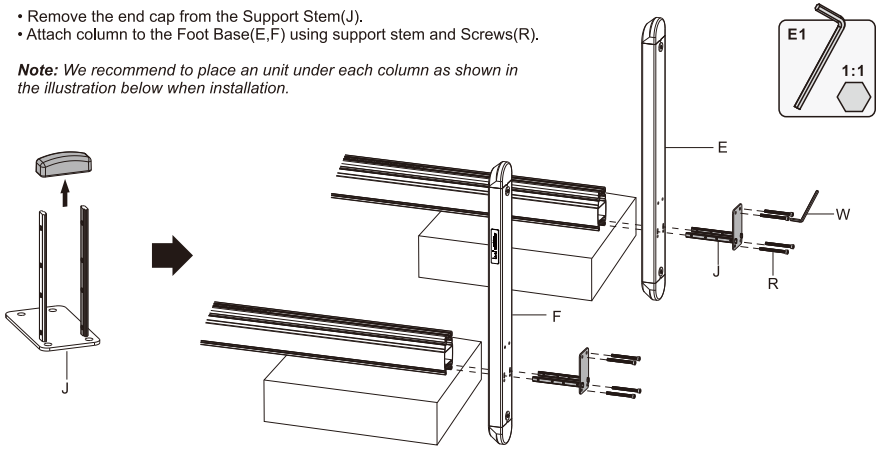
- Fix the nuts using Screws(T) and Washers(U).
- Attach the End Caps(L) to the ends of the top rail.  
Attach the End Caps(N) to the top of each column.



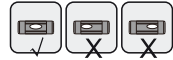
5

- Remove the end cap from the Support Stem(J).
- Attach column to the Foot Base(E,F) using support stem and Screws(R).

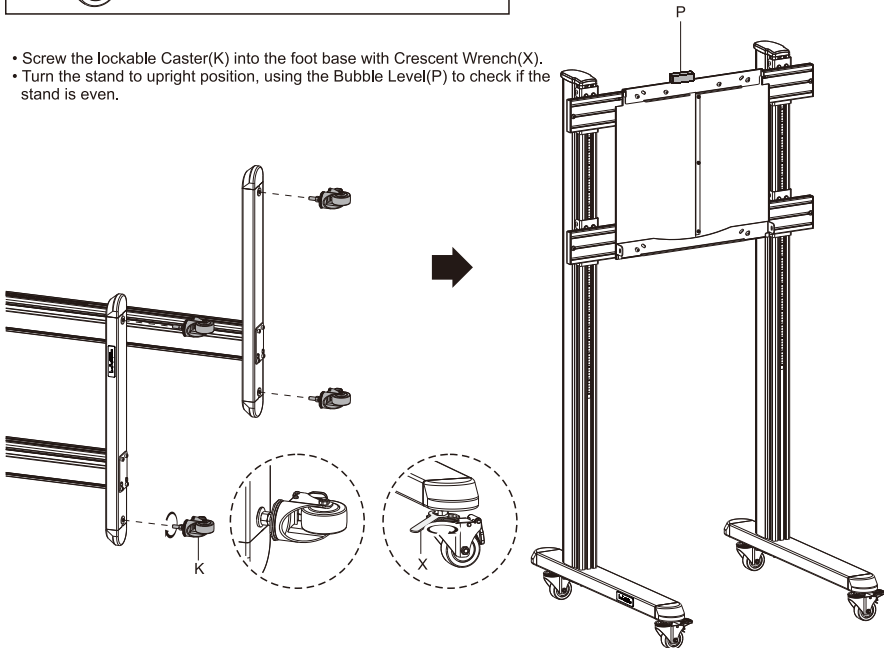
**Note:** We recommend to place a unit under each column as shown in the illustration below when installation.



**Note:** Lock the brakes on the casters to avoid any sudden movements during installation.

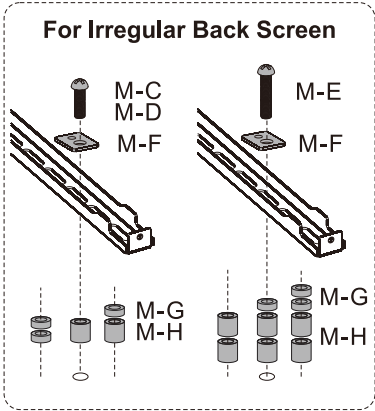
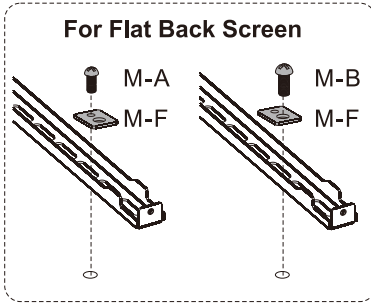
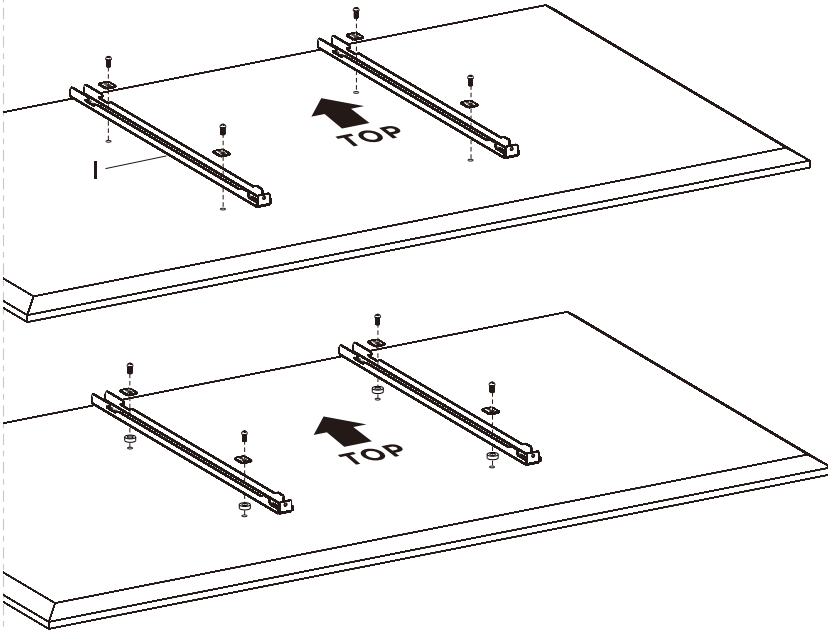


- Screw the lockable Caster(K) into the foot base with Crescent Wrench(X).
- Turn the stand to upright position, using the Bubble Level(P) to check if the stand is even.





**VESA Compatibility: Horizontal - max.500mm  
Vertical - max.600mm**

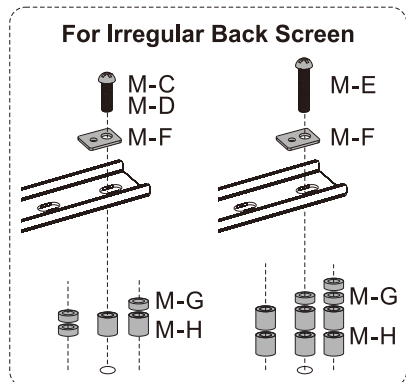
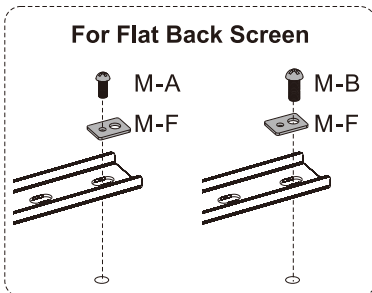
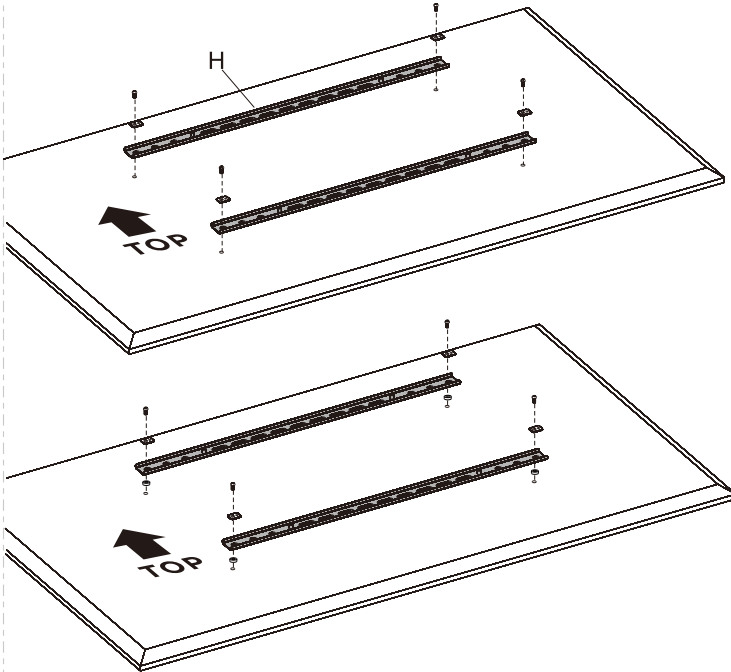




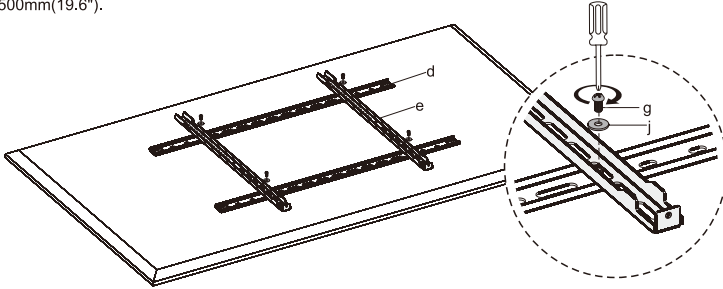
6b



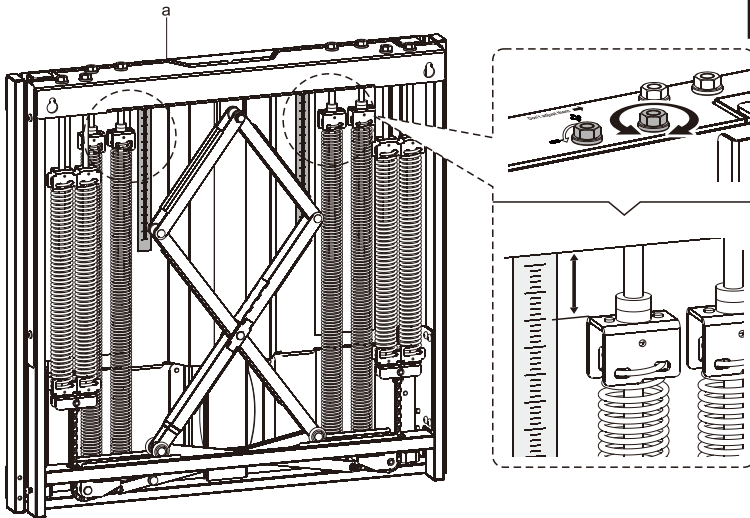
**VESA Compatibility: Horizontal - 600mm,800mm  
Verical - 400mm,600mm**



Attach the Vertical Brackets(e) to the horizontal brackets. Make sure the distance between vertical brackets is less than 500mm(19.6").



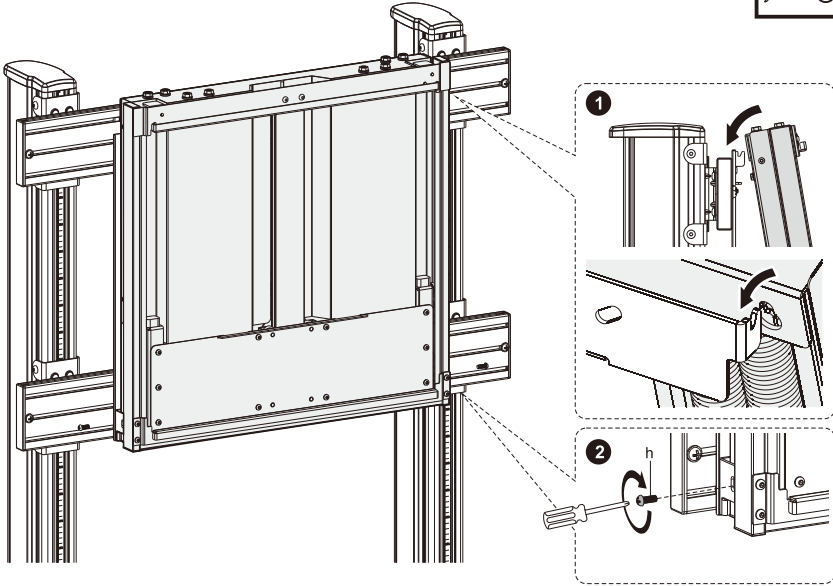
7



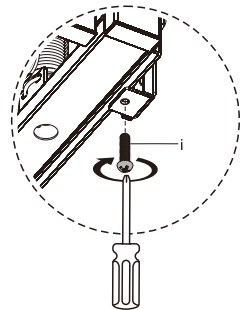
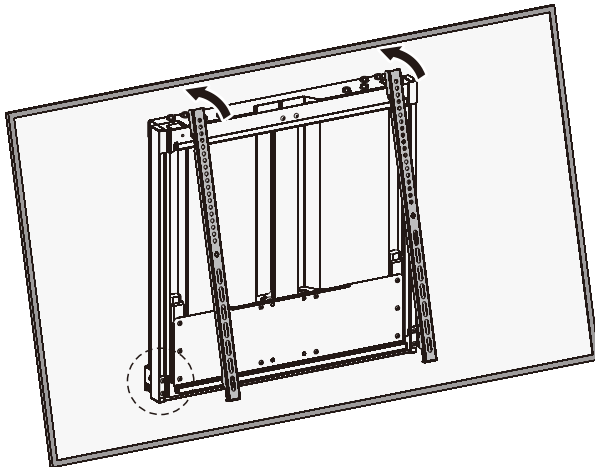
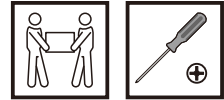
The mount arrives with a default balance setting. Adjust to the number found on the scale that matches the weight of the display. To properly balance the unit, use a drill with a nut-driver to adjust the four balance bolts (two located on each side, left and right). Alternate between each side until it has achieved a perfect balance.

8

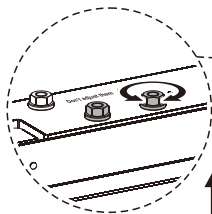
- Hook the Display Mount(a) to the stand.
- Secure the mount with Screws(h).
- 2 people required.



Tighten the safety screws found on the bottom of each bracket to secure the TV to the stand.

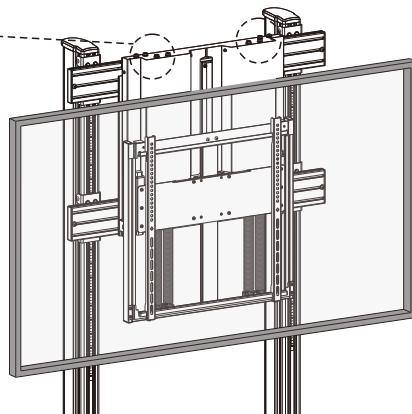


9

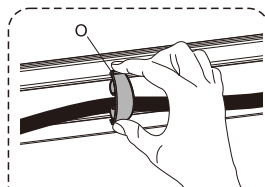
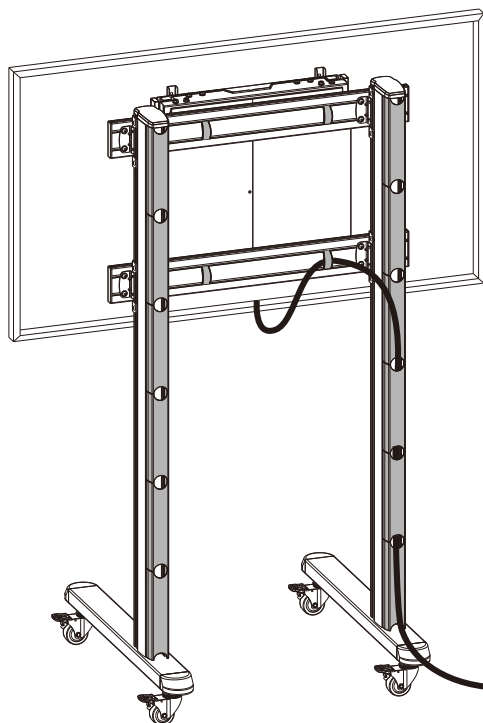


Make a fine adjustment to ensure a perfect balance.

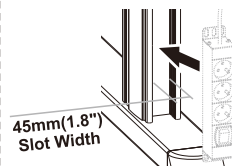
400mm



10



Optional: Adding a Power Socket  
(not included)



45mm (1.8")  
Slot Width

